

## Backstop Assemblies



- » Easy mount for WorldWide shaft mount reducers
- » Smooth forward operation of conveyor with no backslip
- » WSMR backstops are also compatible with the Eliminator SCSMR series.

Box Size	Model Number (1)	Model Number (2)
2	SMR2BSK	WSMR2BSK
3	SMR3BSK	WSMR3BSK
4	SMR4BSK	WSMR4BSK
5	SMR5BSK	WSMR5BSK
6	SMR6/7BSK	WSMR6BSK
7	SMR6/7BSK	WSMR7BSK
8	SMR8/9BSK	WSMR8BSK
9	SMR8/9BSK	WSMR9BSK
10	SMR10/12BSK	SCSMR10BSK
12	SMR10/12BSK	--

(1) Use SMR#BSK model number backstop assemblies for WorldWide Electric Original series shaft mount reducers.

(2) Use WSMR#BSK model number backstop assemblies for WorldWide Electric's Ultimate (WSMR) or Eliminator (SCSMR) series shaft mount reducers. The SCSMR10BSK is compatible with the SCSMR10 only.

## Belt Guards



- » Hinged design for easy access to belts and sheaves
- » Slotted metal panel construction
- » Assembles to reducer and motor mount holes
- » Easy mount for WorldWide shaft mount reducers

Box Size	Model Number
2	BG2
3	BG3
4	BG4
5	BG5
6	BG6
7	BG7
8	BG8
9	BG9
10	BG10
12	BG12

\* WWE belt guards are painted orange. Yellow belt guards are available by adding the suffix "Y" to the model number (i.e. BG2Y is a box size 2 belt guard painted yellow).

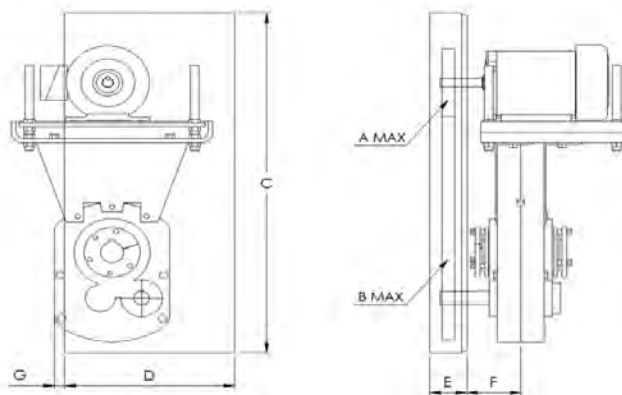
## Motor Mounts



- » Heavy gauge steel construction for NEMA frame motors
- » Adjustable top plate for belt tensioning

Box Size	NEMA Frame	Model Number
2	56-215T	MM2
3	56-215T	MM3A
4	143T-286T	MM4
5	143T-286T	MM5A
6	143T-326T	MM6A
7	143T-365T	MM7
8	213T-365T	MM8A
9	284T-365T	MM9
9	404T-445T	MM9L
10	254T-365T	MM10
10	404T-445T	MM10L
12	286T-445T	MM12

## Maximum Allowable Sheave Sizes for Belt Guards



Reducer Size	Belt Guard Size	Motor Mount Part Number	NEMA Motor Frame	Center Distances		A	B	C	D	E	F	G
				Min	Max							
SMR2, WSMR2, SCSMR2	BG2	MM2	56T-215T	18.7	23.9	6	12	34	15	4	3.5	---
SMR3, WSMR3, SCSMR3	BG3	MM3A	56T-215T	20.2	26.3	7	14	37	17	4	3.94	---
SMR4, WSMR4, SCSMR4	BG4	MM4	143T-286T	21.2	28.7	7	15	43	18	4.5	5.19	---
SMR5, WSMR5, SCSMR5	BG5	MM5A	143T-286T	22.7	31.1	7	15	45	18	4.25	5.13	0.625
SMR6, WSMR6, SCSMR6	BG6	MM6A	143T-326T	25.9	34.2	8	18	50	20	6	6.06	1.63
SMR7, WSMR7, SCSMR7	BG7	MM7	143T-365T	30.6	40.0	10	20	56	23	6	6.88	0.5
SMR8, WSMR8, SCSMR8	BG8	MM8A	213T-365T	35.5	44.2	12	25	63	27	6.5	7.46	0.156
SMR9, WSMR9, SCSMR9	BG9	MM9	284T-365T	38.0	46.7	12	25	66	30	9	7.63	2.91
SMR10, SCSMR10	BG10	MM10	284T-365T	42.6	50.2	12	25	72.5	30	9	8.25	4.31
SMR12	BG12	MM12	320T-445T	58.1	66.6	15	30	91	34	9.5	8.13	---

## V-Belt Drive Center Distances for MM Series Motor Mounts

1

ACCESSORIES  
AND PARTS

Motor Mount	SMR Size	Center Distances For Various NEMA Motor Frames (Table ratings for 1800 RPM Motors only.)																			
		56C		143/5T		182/4T		213/5T		254/6T		284/6T		324/6T		364/5T		404/5T		444/5T	
		Min	Max	Min	Max	Min	Max	Min	Max	Min	Max	Min	Max	Min	Max	Min	Max	Min	Max	Min	Max
MM2	SMR2 SCSMR2 WSMR2	18.7	22.1	18.7	22.1	19.7	23.1	20.5	23.9	---	---	---	---	---	---	---	---	---	---	---	---
MM3A	SMR3 SCSMR3 WSMR3	20.2	23.6	20.2	23.6	21.2	24.6	22.0	25.3	23.0	26.3	---	---	---	---	---	---	---	---	---	---
MM4	SMR4 SCSMR4 WSMR4	---	---	21.2	25.2	22.2	26.2	23.0	26.9	23.9	27.9	24.7	28.7	---	---	---	---	---	---	---	---
MM5A	SMR5 SCSMR5 WSMR5	---	---	22.7	26.6	23.7	27.6	24.4	28.4	25.4	29.4	26.2	30.1	27.2	31.1	---	---	---	---	---	---
MM6A	SMR6 SCSMR6 WSMR6	---	---	25.9	29.7	26.9	30.7	27.6	31.4	28.6	32.4	29.4	33.2	30.4	34.2	---	---	---	---	---	---
MM7	SMR7 SCSMR7 WSMR7	---	---	30.6	34.4	31.6	35.4	32.4	36.2	33.4	37.2	34.1	37.9	35.1	38.9	36.1	40.0	36.1	40.0	36.1	40.0
MM8	SMR8 SCSMR8 WSMR8	---	---	---	---	---	---	35.5	40.5	36.4	41.2	37.2	42.2	38.2	43.2	39.2	44.2	39.2	44.2	39.2	44.2
MM9	SMR9 SCSMR9 WSMR9	---	---	---	---	---	---	38.0	43.0	39.0	44.0	39.8	44.7	40.7	45.7	41.7	46.7	41.7	46.7	41.7	46.7
MM10	SMR10 SCSMR10	---	---	---	---	---	---	---	---	42.6	47.5	43.3	48.2	44.3	49.2	45.3	50.2	45.3	50.2	45.3	50.2
MM12	SMR12	---	---	---	---	---	---	---	---	---	---	57.0	61.0	57.7	62.1	58.7	63.1	59.7	64.1	60.7	65.1

### Torque Arms



- » Included with every shaft mount reducer
- » Heavy gauge steel construction
- » Machine precision ground interlocking parts for easy and accurate tensioning and tightening
- » SMR torque arms are compatible with the Original SMR series only.
- » WSMR torque arms are compatible with the Ultimate WSMR series and the Eliminator SCSMR series. The SCSMR10-TA is compatible with the SCSMR10 only.

Box Size	Model Number	Model Number
2	SMR2-TA	WSMR2-TA
3	SMR3-TA	WSMR3-TA
4	SMR4-TA	WSMR4-TA
5	SMR5-TA	WSMR5-TA
6	SMR6-TA	WSMR6-TA
7	SMR7-TA	WSMR7-TA
8	SMR8-TA	WSMR8-TA
9	SMR9-TA	WSMR9-TA
10	SMR10-TA	SCSMR10-TA
12	SMR12-TA	--

### Original SMR Rebuild Kits

Rebuild Kit is compatible with the Original SMR Series.

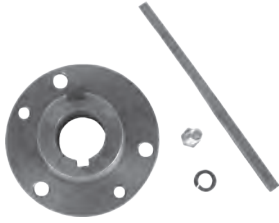


Kits Include (Sold As Kit Only):

- » High speed input shaft
- » First gear reduction gear
- » Input bearings
- » Input seal
- » Output seals

Box Size	Ratio	Model Number
3	15:1	SMR315RBKIT
	25:1	SMR325RBKIT
4	15:1	SMR415RBKIT
	25:1	SMR425RBKIT
5	15:1	SMR515RBKIT
	25:1	SMR525RBKIT
6	15:1	SMR615RBKIT
	25:1	SMR625RBKIT
7	15:1	SMR715RBKIT
	25:1	SMR725RBKIT
8	15:1	SMR815RBKIT
	25:1	SMR825RBKIT
9	15:1	SMR915RBKIT
	25:1	SMR925RBKIT
10	15:1	SMR1015RBKIT
	25:1	SMR1025RBKIT
12	25:1	SMR1225RBKITWIP

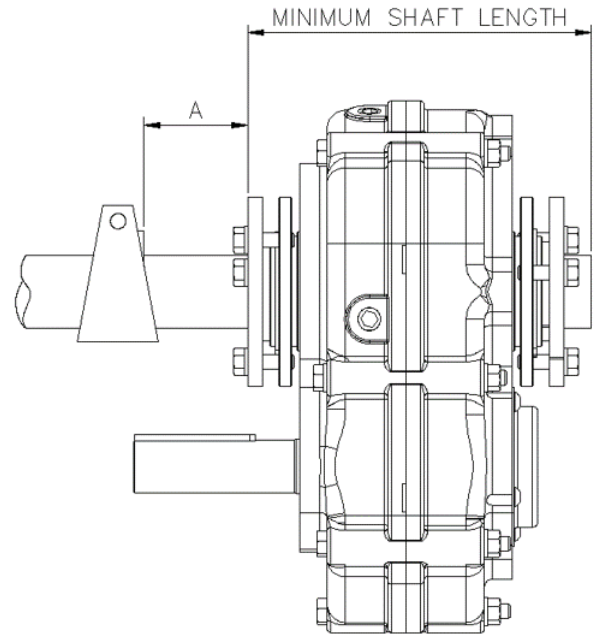
## Tapered Bushing Kits



- » Sized for WorldWide shaft mount reducers
- » Interchangeable with other manufacturers
- » Fast and simple installation
- » Tapered support on both sides of the reducer
- » Includes fastening bolts and a full length shaft key

Box Size	Bushing Size (in.)	Model Number
2	1-1/4	2WTBK-1.14
	1-5/16	2WTBK-1.516
	1-3/8	2WTBK-1.38
	1-7/16	2WTBK-1.716
	1-1/2	2WTBK-1.12
	1-5/8	2WTBK-1.58
	1-11/16	2WTBK-1.1116
	1-3/4	2WTBK-1.34
	1-15/16	2WTBK-1.1516
	1-11/16	3WTBK-1.1116
3	1-3/4	3WTBK-1.34
	1-15/16	3WTBK-1.1516
	2	3WTBK-2
	2-3/16	3WTBK-2.316
4	1-15/16	4WTBK-1.1516
	2	4WTBK-2
	2-3/16	4WTBK-2.316
	2-1/4	4WTBK-2.14
5	2-7/16	4WTBK-2.716
	2-3/16	5WTBK-2.316
	2-7/16	5WTBK-2.716
	2-1/2	5WTBK-2.12
	2-11/16	5WTBK-2.1116
	2-15/16	5WTBK-2.1516
6	2-1/2	6WTBK-2.12
	2-11/16	6WTBK-2.1116
	2-15/16	6WTBK-2.1516
	3	6WTBK-3
	3-7/16	6WTBK-3.716
7	2-7/16	7WTBK-2.716
	2-11/16	7WTBK-2.1116
	2-15/16	7WTBK-2.1516
	3	7WTBK-3
	3-3/16	7WTBK-3.316
	3-7/16	7WTBK-3.716
8	3-15/16	7WTBK-3.1516
	2-15/16	8WTBK-2.1516
	3-7/16	8WTBK-3.716
	3-15/16	8WTBK-3.1516
	4-3/16	8WTBK-4.316
9	4-7/16	8WTBK-4.716
	3-7/16	9WTBK-3.716
	3-15/16	9WTBK-3.1516
	4-7/16	9WTBK-4.716
10	4-15/16	9WTBK-4.1516
	3-15/16	10WTBK-3.1516
	4-7/16	10WTBK-4.716
	4-15/16	10WTBK-4.1516
12	5-7/16	10WTBK-5.716
	5-7/16	12WTBK-5.716
	5-15/16	12WTBK-5.1516
	6	12WTBK-6
6-7/16	12WTBK-6.716	
6-1/2	12WTBK-6.12	

## Minimum Mounting Dimensions



Preferred Minimum Required Shaft Length	
Reducer Size	Preferred Minimum Required Shaft Length (inches)
SMR2, WSMR2, SCSMR2	7.84
SMR3, WSMR3, SCSMR3	9.93
SMR4, WSMR4, SCSMR4	10.71
SMR5, WSMR5, SCSMR5	11.48
SMR6, WSMR6, SCSMR6	12.49
SMR7, WSMR7, SCSMR7	13.73
SMR8, WSMR8, SCSMR8	14.91
SMR9, WSMR9, SCSMR9	15.11
SMR10, SCSMR10	16.62
SMR12	19.81

Bushing Screw Information and Minimum Clearance for Removal			
Reducer Size	Fastener Size	Torque (in.-lbs)	Dimension A
SMR2, WSMR2, SCSMR2	5/16-18	200	1.25
SMR3, WSMR3, SCSMR3	3/8-16	360	1.5
SMR4, WSMR4, SCSMR4	3/8-16	360	1.75
SMR5, WSMR5, SCSMR5	7/16-14	800	1.81
SMR6, WSMR6, SCSMR6	7/16-14	800	1.81
SMR7, WSMR7, SCSMR7	1/2-13	1000	2.06
SMR8, WSMR8, SCSMR8	1/2-13	1000	2.06
SMR9, WSMR9, SCSMR9	5/8-11	1900	2.44
SMR10, SCSMR10	5/8-11	1900	2.44
SMR12	5/8-11	1900	2.44